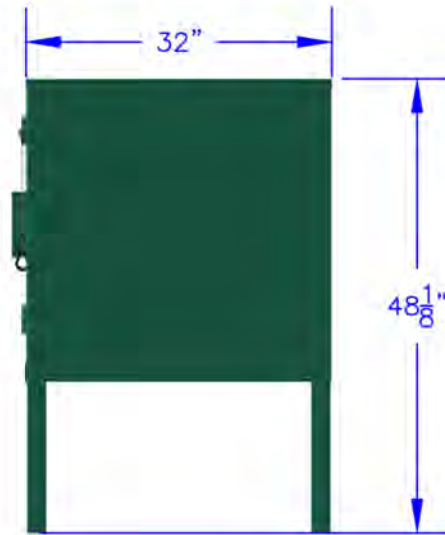


FRONT VIEW



RIGHT VIEW



ISOMETRIC VIEW

FOREST GREEN

## Campsite Food Storage Locker

Heavy duty **25** cubic foot storage locker designed for safe, secure and convenient food storage in outdoor parks and recreation areas.

Includes Paddle Latch with Safety Release and Cover. Components, layout and access are designed to be ADA Compliant, easy and safe to operate.

Optional Features Include:

1. Locking Hasp with Latch Hook & Cable
2. Fixed Shelf with 10" of Vertical Space
3. Mount Post(s) for 36" Deep in Ground Anchor

Made in America with heavy duty components, hinges & high quality 14-gauge steel for the main Body & 10-gauge steel for the Top. Includes  $\frac{1}{4}$ " thick feet mount plates to bolt securely into ground.

Vibrant finish using industry leading UV and corrosion resistant, weather proof powder coat offered in the standard colors shown:



BEARICUDA BINS - PO Box 56, 3 West St.,  
Ste 3E, Litchfield, CT 06759-0056 877-232-7428  
www.bearicuda.com

PRODUCT: LOC125

DESCRIPTION: Whistler Outdoor Locker (LOC125)

DETAILS: SHOWN WITH PADDLE LATCH & SHELF OPTIONS

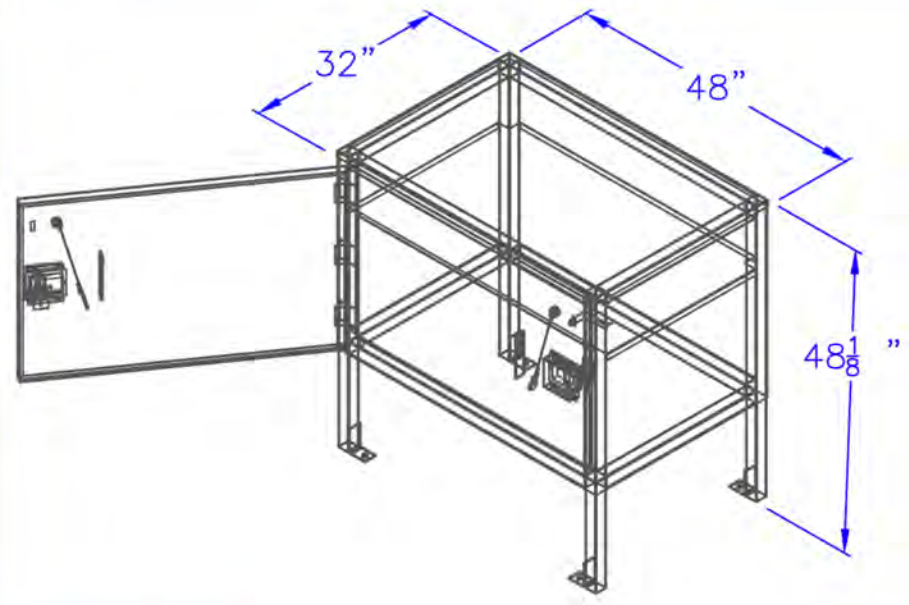
SCALE: 1:20

DATE: 07-17-23

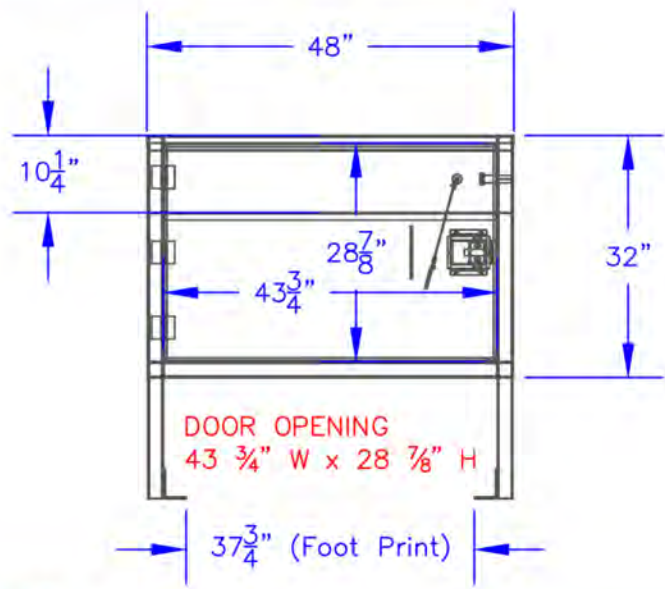
## 25 Cubic Foot Campsite Food Storage Locker

### Fabrication Specifications

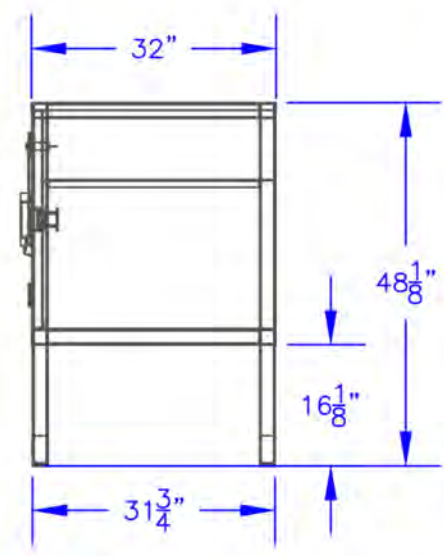
DIMENSIONS	48" Width x 32" Depth x 48 <sup>1</sup> / <sub>8</sub> " Height
INTERIOR SPACE	25 Cubic Feet (Approximate)
WEIGHT	275 Lbs. (Approximate - w/o Hardware)
FRAME	14 GA HR Steel 2" x 2" Square Tube
BODY & SHELVES	14 GA HR Steel
DOOR(S)	14 GA HR Steel
TOP	10 GA HR Steel
CATCHES & HASPS	10 GA HR Steel
HINGES	<sup>1</sup> / <sub>4</sub> " PLATE



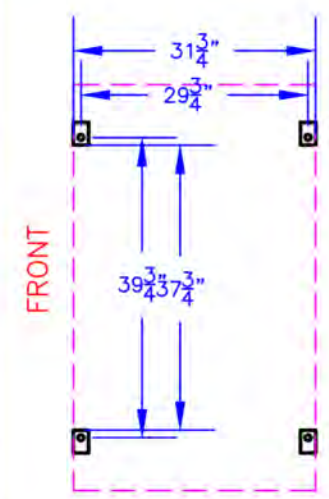
ISOMETRIC VIEW



FRONT VIEW



RIGHT VIEW



MOUNTING SPECS





FOREST GREEN



GRAY



BROWN



BLUE

